



Card lock functions.

Adopts the latest technology which made possible a high accuracy, high functional card.

There is no need to insert the card into the ALVH.

Just the simple task of placing the card near the ALVH will unlock the key.



U9ALVHJP66-Type1 (the picture is for right handed version)

The design is kept simple; however, there is a wide variety of color for the handle.





Notifies by turning on the LED light.

When a valid card is placed near the lock, a green LED turns on to notify the user that the door is unlocked. When an invalid card is placed near the lock, or when the operation is incorrect, the LED turns red to notify an error.



A green light is turned on.
Notifies that the door is unlocked

A red light is turned on.
Notifies and error



Protects customer privacy.

When the some-turn is turned from inside the room, the door is double locked. This double lock cannot be opened by a master key or a sub master key. It protects customers' precious privacy.

The anti-panic function offers security in time of trouble.

The door has an anti-panic function that allows customers inside the room to unlock the double lock in a deadbolt situation by simply turning the door knob (lever).





In time of emergency, an emergency card can unlock the door

The emergency card can unlock the door in time of need even if the door is double locked.

Can attach the lock to already existing hotels

The card reader, electronic lock, and output (battery) is unified so it can be attached as already existing hotel locks.

Also, there is no need to have wiring in the doors, so it can be replaced with the already existing hotel locks.

In necessary situations, buzzer sounds will be made

For customers with vision disabilities or elderly customers, a buzzer sound could be made which will lead to improvement in hospitality.

(The buzzer sound can be instituted when the card is issued.)



The power source is batteries. It can be easily replaced.

The power source is four AA—size batteries.

On average, it can be used for a year and a half when normally used, thus the labor for replacement is very minimal.

Also, if the batteries are running low, place the sub master card to see if the batteries are running low, and it will show the time of replacement.

Customer cards can be used as normal, without causing any trouble.





Card issuing machine swift issuing and controlling of cards with displaying functions

11 types of cards including guest card, master card, and sub-master card can be issued by simply operating as instructed by the operating machine placed at the front desk of the hotel. It can easily be mastered by anybody, thus there is no need to place a specialist at the front desk. Also, a maximum of 10 issuing machines can be connected to the main host computer enabling 10 cards to be issued at once and can manage even in large scale hotels.



PC type issuing controlling unit.



MIWA

Card type	Card holder	Card function
Emergency card	Hotel (Manager)	The card puts all rooms into continuous unlock mode. This automatically becomes undone when the thumbturn is turned from inside the room
Master card	Hotel (Manager)	This card can unlock all rooms in the hotel (Audit trail function enables the card to hold up to 100 histories)
Sub master card	Hotel (Manager/ maid)	This card can unlock certain rooms according to room types or time span (audit trail function enables the card to hold up to 100 histories.)
House keeping card	Hotel (Manager)	This card disables the guests to enter the room. (Lock out condition)
Master lock out card	Hotel (Manager)	This card disables guests and staff to enter the room (Master lock out condition)
Cancel card	Hotel (Manager)	This card cancels the master lock out and lock out conditions
Standby card	Hotel (Manager)	This card is distributed to guests in troubled times such as black outs.
Maintenance card	Hotel (Maintenance staff)	This card is given to maintenance staff
Guest card	Guest	This card is issued to guests and is only valid for a designated period of time.
Master authorization card	Hotel (Manager)	This card has the authorization of issuing other cards. (Issuing authorization card) when a card is being issued, It is used as an ID card and a verification code is needed.
DTU card	Hotel (Manager)	This card is used for checking card data, fixing the card, collecting the card's history. (A key card can be transferred into a DTU card)

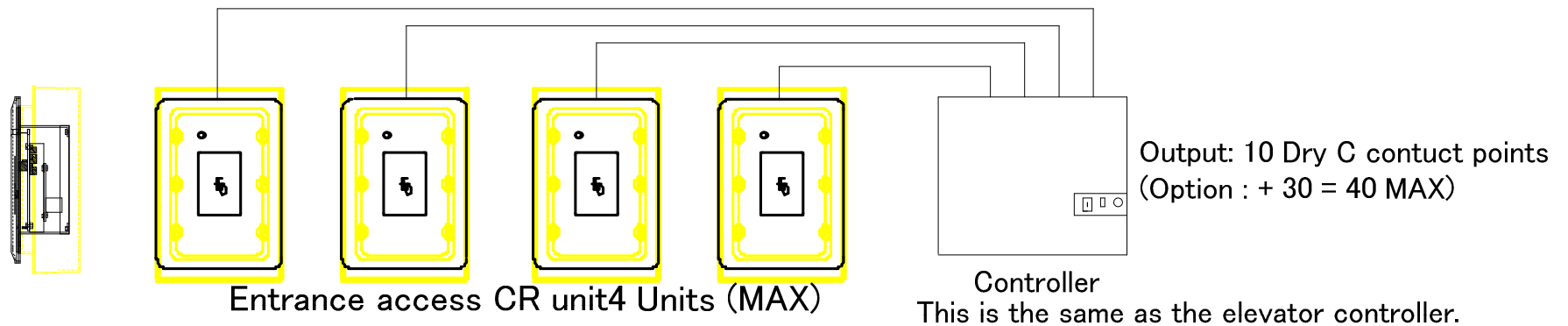


MIWA Option tools

Further expand the use of card lock with more options.

Entrance accessing card reader

A system that allows guests to use their cards to enter the hotel through night entrances or special guest entrances.



Special box: JIS C8340

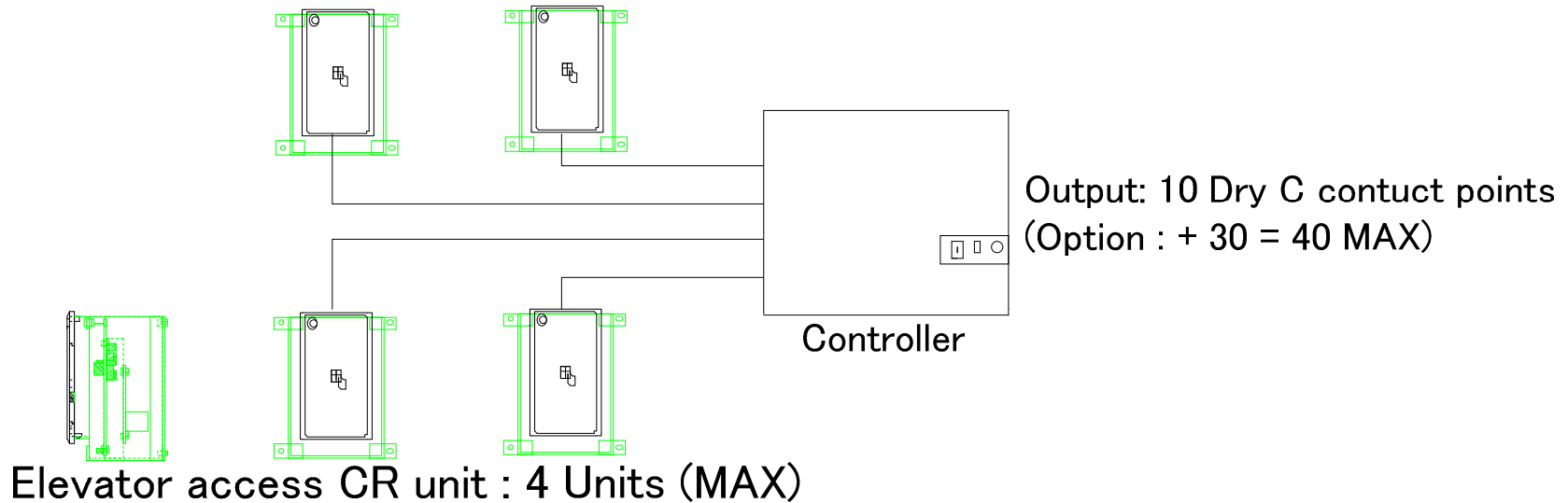
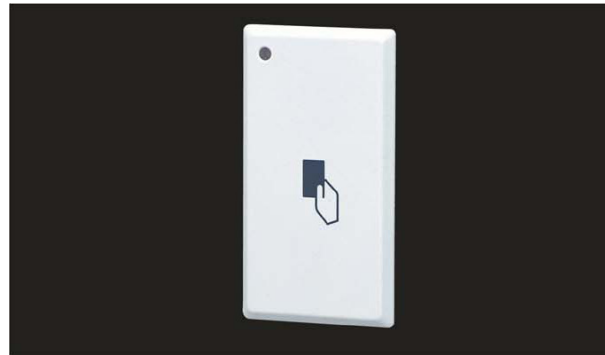


MIWA Option tools

Further expand the use of card lock with more options.

Elevator accessing card reader

By installing this system in an elevator, the elevator can be set to stop at VIP or other floors only for those with the correct card.

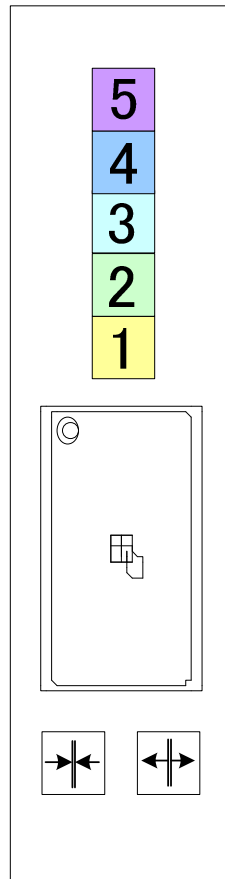




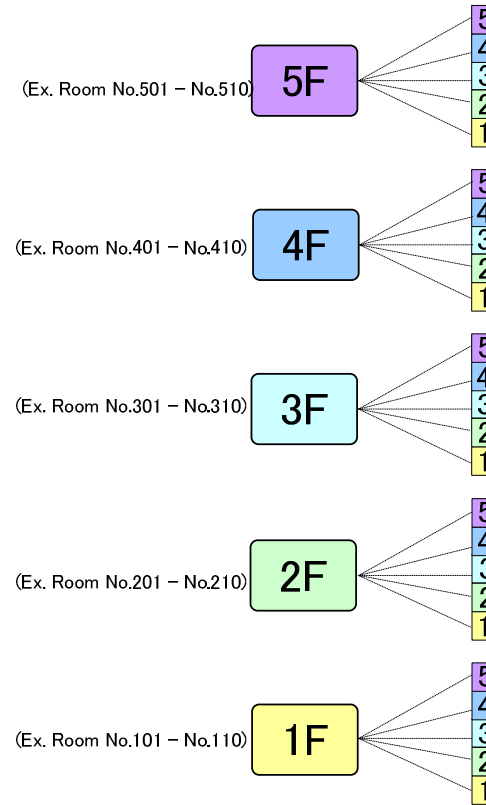
Elevator (Entrance) access controller

The stop floor in the elevator can be set according to the guest card.

The guestroom is grouped, and the each group can combine the contact outputs.



The button in the elevator works only at the floor corresponding to the card.



Room range of the guest room

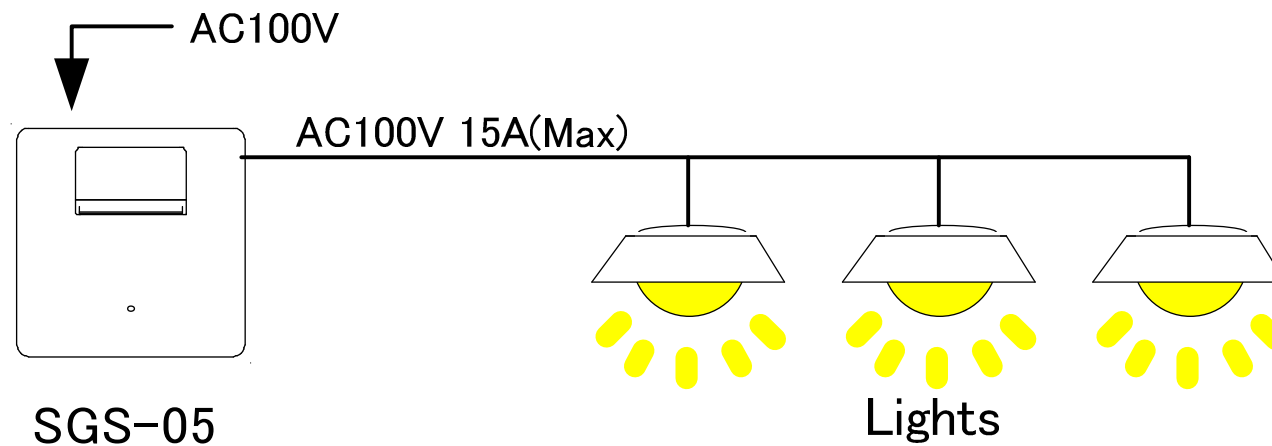
40 Groups (MAX)

Contact outputs for the elevator push buttons

10 Contact outputs (MAX)
(Option : + 30 = 40 MAX)

Energy conserving card holder

A system that turns on the lights inside the hotel room by placing the card key into a card holder inside the room. By removing the card when exiting will automatically turn off the lights which prevent lights etc. from not being turned off.





Escutceon designs

U9ALFHJP*-1



Lever Handle designs

